

## INSTALLATION INSTRUCTIONS

### Step 1. Check Package Contents

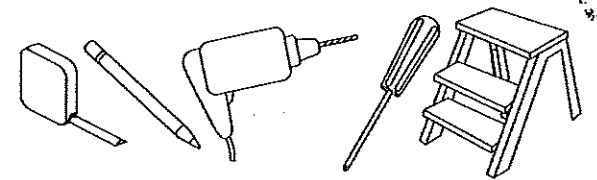
Missing part? Call 1-800-264-1190

Mounting hardware kit includes the following:

Part	Quantity
Mounting Bracket	2 (for shades up to 36" wide) 3 (for shades 37" to 52" wide) 4 (for shades 53" to 72" wide)
1 $\frac{1}{8}$ " Screws	2 per bracket
Hold Down Brackets	2
$\frac{3}{8}$ " Screws for Hold Downs	4
Handle for Bottom Rail	1 (shades up to 59" wide) 2 (shades over 59" wide)
Shade Connector	1 (only for windows over 72" wide)

Note: one extra screw of each noted size is included for convenience

### Step 2. Tools Required



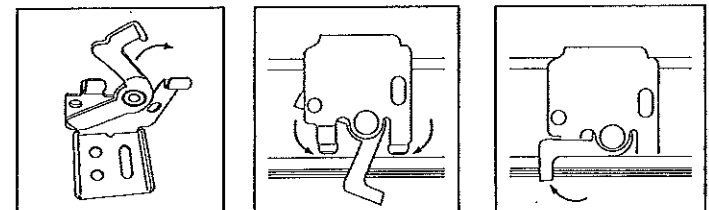
Screwdriver, tape measure, pencil, drill, step ladder.

Note: use #6 plastic anchors for dry wall or plaster mounting (not included)

Drill Bits: for screws, use a 3/32" drill bit - for wall anchors, use 1/4" drill bit.

### Step 3. Bracket Location and Installation

Your shade may be installed either inside the window frame or outside the window frame. A mounting bracket should be positioned about 1" to 6" from each end of the head rail. For wider shades that require 3 or more brackets, these should be spaced evenly between the two outermost brackets. Always position the brackets such that there is no interference with the cords and mechanisms inside the head rail. The procedure outlined below will assure proper bracket placement.

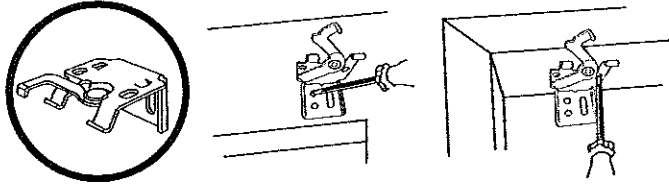


To attach the brackets the locking arm should be facing out. Then position the bracket so that it engages the inner front and inner back of the bracket, and then push the locking arm inward to lock it in place.

**Mirage**  
**Cordless**  
**Cellular**  
**Fabric**  
**Shade**

#### For Outside Mounting:

Attach the brackets to the head rail as described above. Hold the shade level at the height desired and center it over the window opening. Mark the exact location of each bracket with a pencil. Remove the brackets from the head rail and position the top of each bracket at the marked location and screw each bracket into the wall or window molding using the 1/8" screws, pre-drill the screw holes using a 5/64" drill bit.



#### For Inside Mounting:

Clip the brackets onto the head rail as described above. Hold the shade in place and make a pencil mark at the rear of each bracket where it contacts the inside of the window frame.

Remove the brackets from the head rail and align them with the marks. Attach each bracket using the 1/8" screws, pre-drill the screw holes using a 5/64" drill bit.

#### Step 4. Securing the Head Rail

Place the head rail on the brackets as described in Step 3 above, and lock in place. Check carefully to assure that each bracket is properly secured.

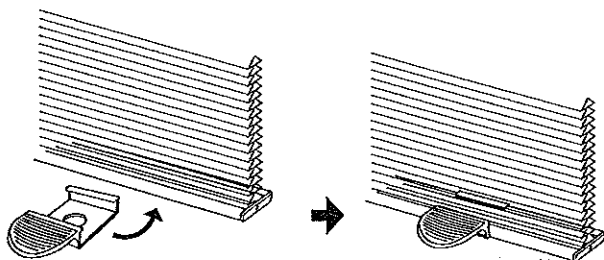
#### Step 5. Attach Handle / How to Operate

Attach the Handle to the bottom rail as illustrated. The handle is designed to minimize contact with the shade fabric. Always raise and lower the shade SLOWLY(!) to assure that the pleated fabric stacks neatly.

Wider shades have (2) Handles – to precisely determine the correct position for each handle, divide the total width of the shade by 4, and then attach one handle that distance from each outside edge of the shade – always grasp both handles when lifting and lowering the shade

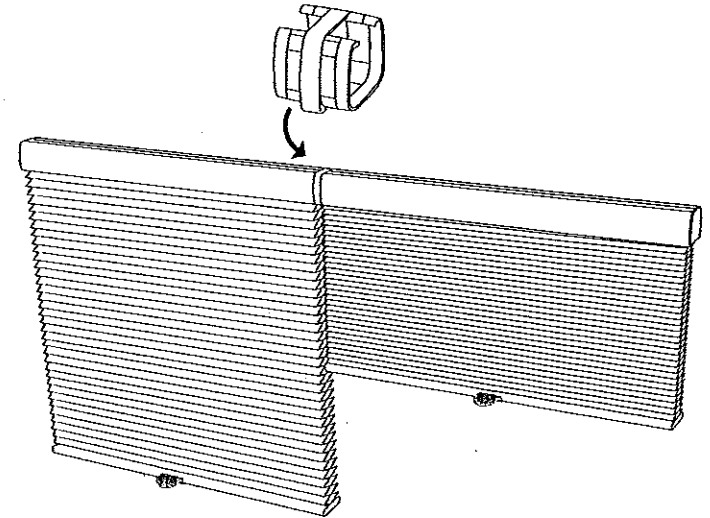
To lower the shade: grip the bottom-rail/handle(s) and slowly pull straight down.

To raise the shade: put your hand(s) under the bottom rail (palm facing up) and lift slowly until the desired height is reached.



2

Step 6. Attach 2-in-1 Connector – for wide shades only  
Wide windows necessitate the use of two shades in a single window opening, so that the cordless mechanisms function properly. In this case the Connector should be used to join the head rails as illustrated



#### Cleaning your Shades

The head rail and bottom rail can be wiped clean with a damp sponge.

To clean the shade fabric, use a feather duster or vacuum lightly using the soft brush attachment.

**Mirage**  
**Cordless**  
**Cellular**  
**Fabric**  
**Shade**

3