

## Installation Instructions with Hidden Valance

### How to Install Your Wood Blinds

Before you get started installing your new blinds, check the packaging to make sure you have the following items:

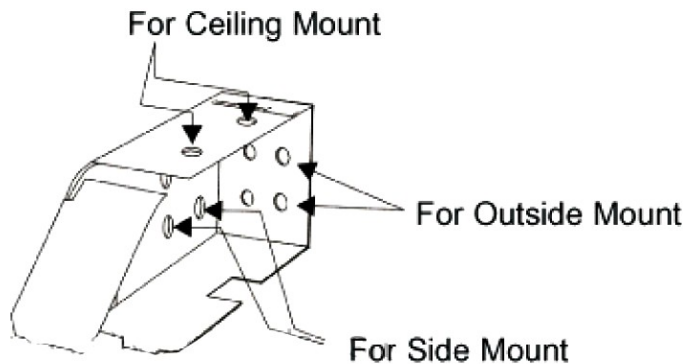
- Left and right box-style mounting brackets
- Four mounting bracket screws
- Valance clips
- Center support bracket and support screws (if needed for your particular blinds)

Once you've located these components, set them aside so they'll be handy as you begin the installation process.

### Mounting Brackets And Which Ones To Use

The first components of your blinds you should install are the mounting brackets.

If your blinds are over 69" wide, use center support brackets to better anchor the blinds above the window or door. In addition, you should also position the center support brackets so that they won't interfere with the blinds' lift mechanism (between the ladders of the blinds) and as evenly as possible across the width of the window.



#### Screw Holes

When installing your mounting brackets, make sure you use two screws per bracket (positioned diagonally if possible) to ensure the bracket is held firmly in place and can support the weight of the blinds.

#### How Many Brackets Do You Need?

All of our blinds use at least two mounting brackets, which are included with your order. 2-on-1 blinds ship with one additional support bracket, while 3-on-1 blinds ship with two additional support brackets. When mounting your blinds, place the support brackets between ladders. A single support bracket should be positioned as close to the center of the blind as possible. Position two support brackets equal distance from the center of the blind. In other words, space the support brackets as evenly as possible along the width of the blind.

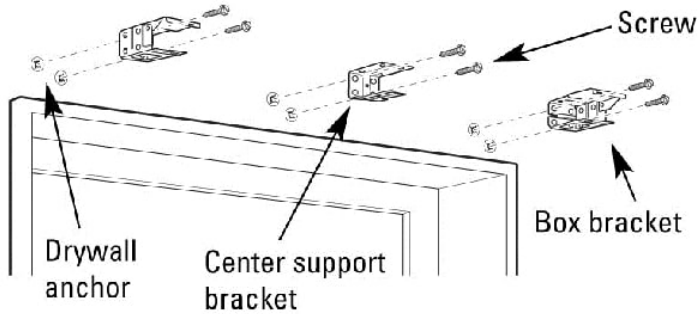
Check out these table for a handy reference guide when installing support brackets:

Wood Blind Width	Number of Center Support Brackets
69" and above	One support bracket
95" and above	Two support brackets

## Mounting Bracket Installation

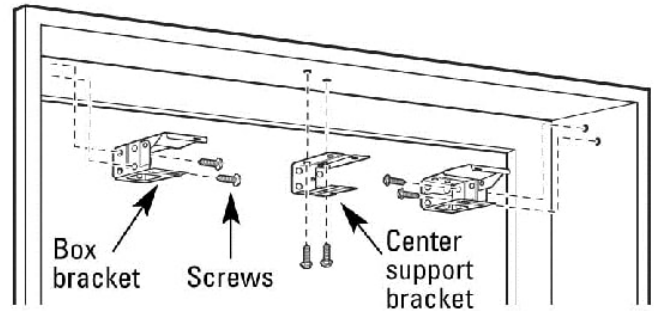
### Outside Mounts

Screw brackets into wall as shown

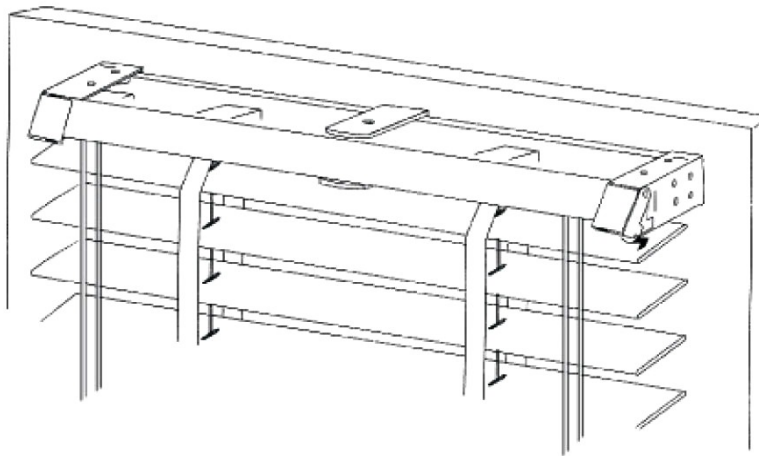


### Inside Mounts

Screw brackets into window frame as shown



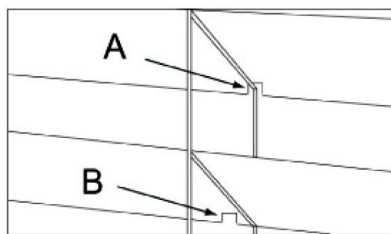
After the mounting brackets are installed, position the headrail inside the brackets as shown in the picture on the right. Then swing the covers down and snap them closed.



## Important Installation Note About Routeless and Privacy Blinds

Because routeless blinds are manufactured using a unique stringing method, the slats may become disengaged during shipping or the installation process.

To make sure your routeless/privacy blinds are fully operational, compare the slats on your blinds to the ones pictured here:



A. Properly engaged slat:  
notch is over ladderbraid

B. Disengaged slat:  
notch is not over ladderbraid

If any of the slats are disengaged, simply move the slat by hand until the notch is properly seated on the back side of the ladder.

## Installing Headrail and Valance Clips

Before you mount the headrail for your new blinds, make sure you install the valance clips first.

To install the headrail, line it up as shown in the picture below. Then, push the covers down and snap them closed.

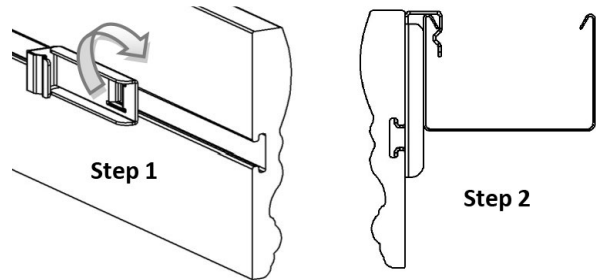
Depending on the type of blinds you ordered, your package will include either C-Clips or Hidden Valance Clips. The number of clips you receive will also vary depending on the width of the window treatment you ordered.

To attach your clips to the headrail, follow these instructions for both types of clips:

- **Hidden Valance Clips**

**Step 1.** Slide Metal Valance Clip into the "T" groove on the back of the valance. Twist the valance clip to lineup the top of the clip with the top of the valance. Repeat this step for all clips provided.

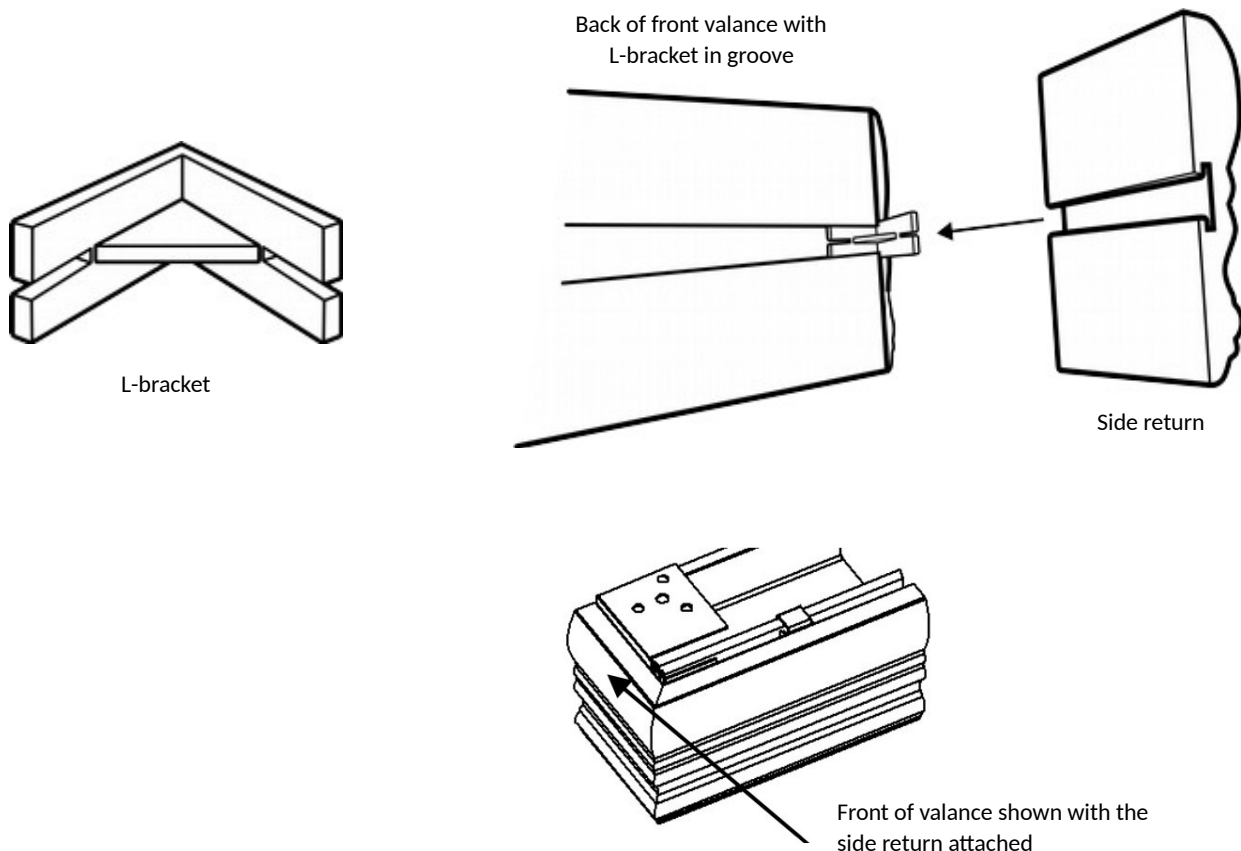
**Step 2.** Place the valance with clips attached over the headrail and press it down until they snap into the headrail.



Be careful not to install any clips more than 48" apart. After the clips are in place, install one clip at each end of the headrail and space the others evenly to support weight.

## Installing Valance Side Returns

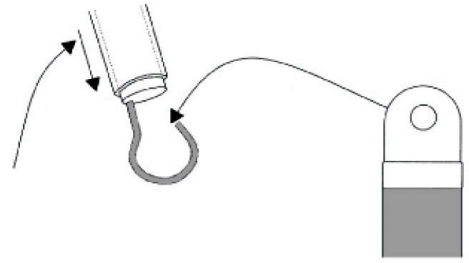
To install side returns to your outside mount valance you will use the L-brackets (metal or plastic) that will attach to the side pieces. The L-bracket will attach to the groove on the side Returns (side pieces) and then attach into the groove of the front valance Piece. Please see images below.



## Installing the Tilt Wand Attachment (if applicable)

If your blinds shipped with a tilt wand attachment, follow these instructions and reference the diagram to install it:

- Attach the tip of the wand over the end of the tilter hook.
- Slide the clear cover down over the wand to hold it in place.



## Installing Optional Components

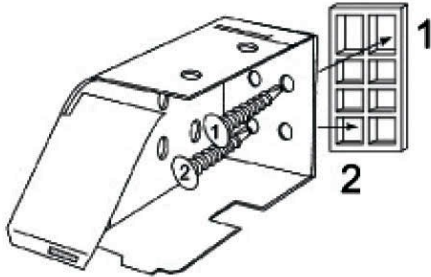
Your blinds may have come with optional components such as spacer blocks or hold-down brackets. To install these components, follow these instructions:

### Spacer Blocks/Extension Brackets

Spacer blocks are designed to give standard mounting brackets clearance over obstructions like window moldings and ledges.

To install these components, align the holes in the back of the bracket to the holes in the spacer block and screw the bracket into the wall. Two spacer blocks can be used per bracket to add additional clearance if necessary.

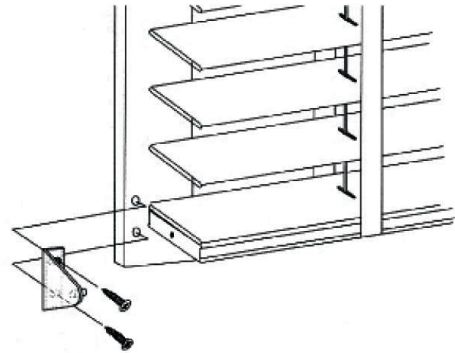
### Spacer Block



### Hold-Down Brackets

Hold-down brackets are used to prevent blinds from swaying back and forth when mounted on doors or when exposed to wind.

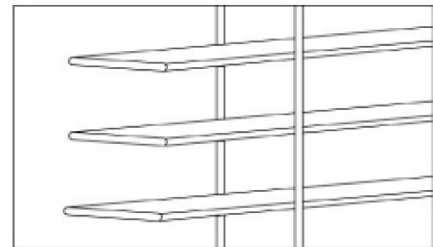
To install these components, screw hold-down brackets into the lower corners of your window sill or jam. Then, drill a small hole in the center of the bottom rail and slip a hold-down pin through the hold-down bracket into the blind.



## Instructions for Operating Routeless/Privacy Blinds

To lower the blind, pull the cord down and towards the center of the shade to unlock the cord. Then, slowly release the cord until the shade reaches the desired location. Move the cord past the outer edge of the shade and let go to lock the cord.

To raise the blind, pull the cord straight down until the shade reaches the desired location. Move the cord past the outer edge of the shade and let go to lock the cord.



---

## Taking Care of Your New Blinds

To keep your blinds working perfectly for years to come, follow these operating instructions:

- **Alignment**  
To align your blinds after installation, open the slats and raise and lower the blinds several times. Repeating this process will give the cords and slats a chance to become properly aligned.
- **Cleaning**  
To keep your blinds looking their best, dust them regularly with a soft clean cloth, a dusting mitt, a vacuum cleaner equipped with a brush attachment, or a dust brush designed for blinds.
- **Removal**  
To remove your blinds, remove the valance, then raise the blind to the headrail and lock. Finally, open both bracket door latches to remove the blinds.

## Child and Pet Safety Information

To prevent children or pets from getting tangled in the lift cord, your new blinds feature Break-Thru® safety tassels, which cause the lift cord to break in two if pressure is applied. To put the cord back together, simply snap the two halves in place.

It's also important to keep all lift cords out of the reach of children at all times.