

# Faux Wood Blinds

**BLINDSTER**

Email: [customerservice@blindster.com](mailto:customerservice@blindster.com)

Call us: (888) 256-8672

Mon - Fri 8am - 7pm (CT)

## Installation Instructions

---

### How to Install Your Faux Wood Blinds

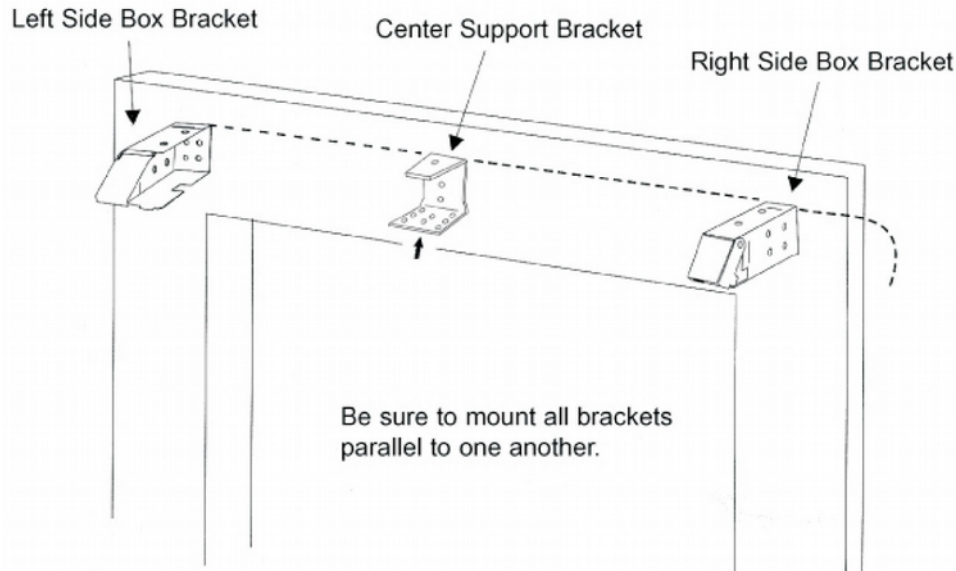
Before you get started installing your new blinds, check the packaging to make sure you have the following items:

- Left and right box-style mounting brackets
- Four mounting bracket screws
- Valance clips
- Center support bracket and support screws (if needed for your particular blinds)

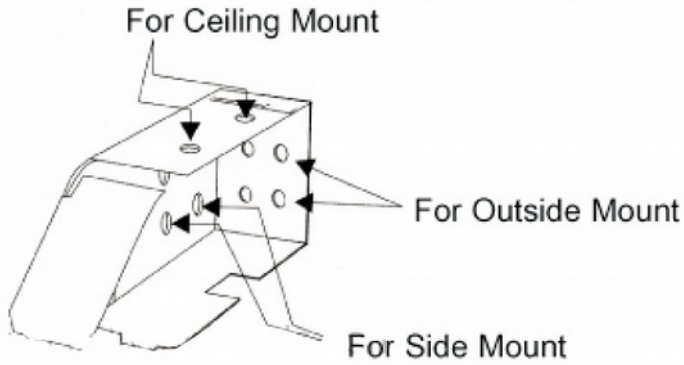
Once you've located these components, set them aside so they'll be handy as you begin the installation process.

### Mounting Brackets

The first components of your blinds you should install are the mounting brackets.



If your blinds are over 69" wide (wood) or 60" wide (faux wood), use center support brackets to better anchor the blinds above the window or door. In addition, you should also position the center support brackets so that they won't interfere with the blinds' lift mechanism (between the ladders of the blinds) and as evenly as possible across the width of the window.



### Screw Holes

When installing your mounting brackets, make sure you use two screws per bracket (positioned diagonally if possible) to ensure the bracket is held firmly in place and can support the weight of the blinds.

### How Many Brackets Do You Need?

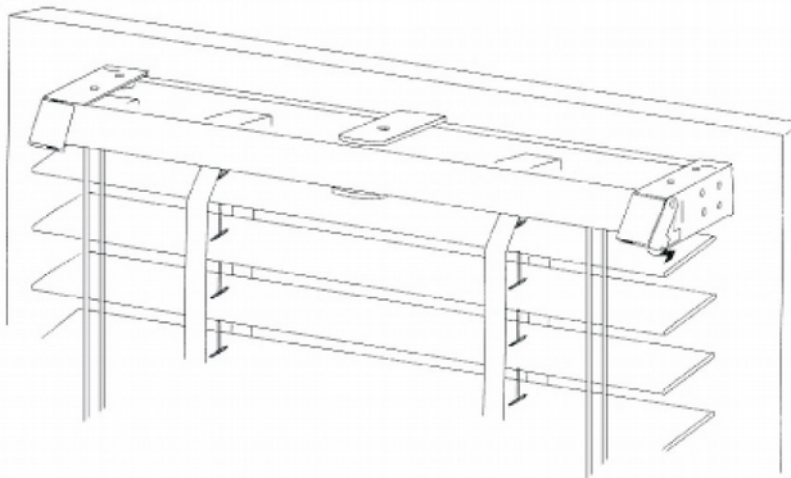
All of our blinds use at least two mounting brackets, which are included with your order. 2-on-1 blinds ship with one additional support bracket, while 3-on-1 blinds ship with two additional support brackets. When mounting your blinds, place the support brackets between ladders. A single support bracket should be positioned as close to the center of the blind as possible. Position two support brackets equal distance from the center of the blind. In other words, space the support brackets as evenly as possible along the width of the blind.

Check out these tables for a handy reference guide when installing support brackets:

Wood Blind Width	Number of Center Support Brackets
69" and above	One support bracket
95" and above	Two support brackets

Faux Wood Blind Width	Number of Center Support Brackets
60" and above	One support bracket
95" and above	Two support brackets

After the mounting brackets are installed, position the headrail inside the brackets as shown in the picture on the right. Then swing the covers down and snap them closed.

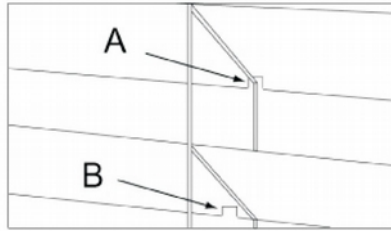


---

## Important Installation Note About Routeless and Privacy Blinds

Because routeless blinds are manufactured using a unique stringing method, the slats may become disengaged during shipping or the installation process.

To make sure your routeless/privacy blinds are fully operational, compare the slats on your blinds to the ones pictured here:



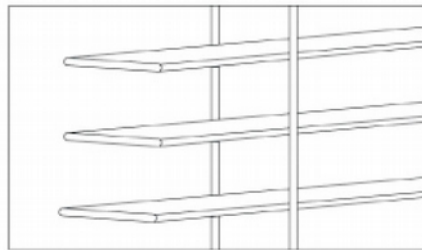
A. Properly engaged slat:  
notch is over ladderbraid

B. Disengaged slat:  
notch is not over ladderbraid

If any of the slats are disengaged, simply move the slat by hand until the notch is properly seated on the back side of the ladder.

## Instructions for Operating Routeless/Privacy Blinds

To ensure optimal performance and lifespan of your new window treatments, only raise routeless/privacy blinds when the slats are in the open position.



---

## Installing Headrail and Valance Clips

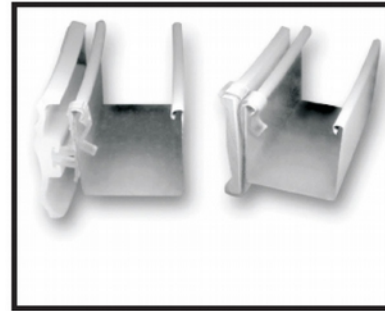
Before you mount the headrail for your new blinds, make sure you install the valance clips first.

To install the headrail, line it up as shown in the picture below. Then, push the covers down and snap them closed.

Depending on the type of blinds you ordered, your package will include either C-Clips or Hidden Valance Clips. The number of clips you receive will also vary depending on the width of the window treatment you ordered.

**To attach your clips to the headrail, follow these instructions for both types of clips:**

- **Hidden Valance Clips**  
Twist the clip down on the front of the headrail until it is locked into place.
- **C-Clips**  
Push the clip down on the front of the headrail until it snaps into place.



Hidden Clip

"C" Clip

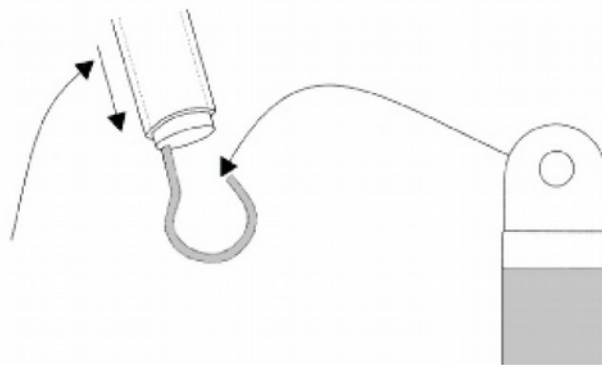
Be careful not to install any clips more than 48" apart. After the clips are in place, install one clip at each end of the headrail and space the others evenly to support weight.

If the valances are outside mounted, attach the returns to the headrail using the "L" brackets that come with your blinds. To attach the returns, slide an "L" bracket onto both slots in the backside of the valance and returns.

## Installing the Tilt Wand Attachment (if applicable)

If your blinds shipped with a tilt wand attachment, follow these instructions and reference the diagram to install it:

- Attach the tip of the wand over the end of the tilter hook.
- Slide the clear cover down over the wand to hold it in place.



---

## Installing Optional Components

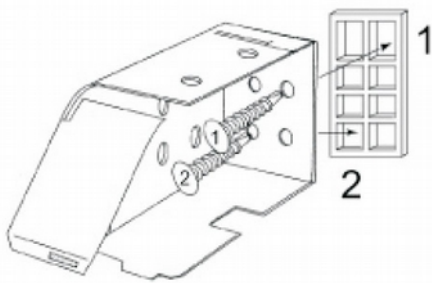
Your blinds may have come with optional components such as spacer blocks or hold-down brackets. To install these components, follow these instructions:

### Spacer Blocks/Extension Brackets

Spacer blocks are designed to give standard mounting brackets clearance over obstructions like window moldings and ledges.

To install these components, align the holes in the back of the bracket to the holes in the spacer block and screw the bracket into the wall. Two spacer blocks can be used per bracket to add additional clearance if necessary.

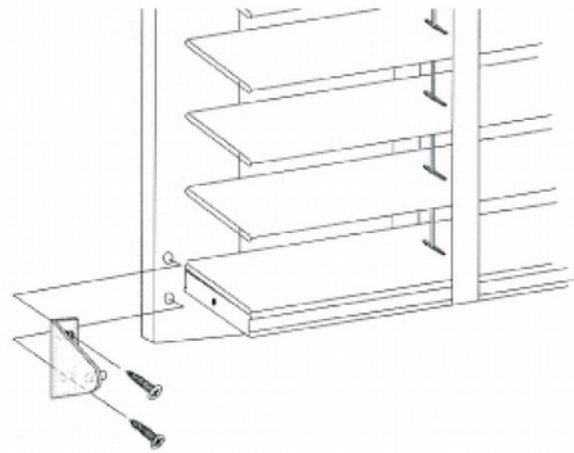
### Spacer Block



### Hold-Down Brackets

Hold-down brackets are used to prevent blinds from swaying back and forth when mounted on doors or when exposed to wind.

To install these components, screw hold-down brackets into the lower corners of your window sill or jam. Then, drill a small hole in the center of the bottom rail and slip a hold-down pin through the hold-down bracket into the blind.



## Taking Care of Your New Blinds

To keep your blinds working perfectly for years to come, follow these operating instructions:

- **Alignment**  
To align your blinds after installation, open the slats and raise and lower the blinds several times. Repeating this process will give the cords and slats a chance to become properly aligned.
- **Cleaning**  
To keep your blinds looking their best, dust them regularly with a soft clean cloth, a dusting mitt, a vacuum cleaner equipped with a brush attachment, or a dust brush designed for blinds.
- **Removal**  
To remove your blinds, remove the valance, then raise the blind to the headrail and lock. Finally, open both bracket door latches to remove the blinds.

---

## **Child and Pet Safety Information**

To prevent children or pets from getting tangled in the lift cord, your new blinds feature Break-Thru® safety tassels, which cause the lift cord to break in two if pressure is applied. To put the cord back together, simply snap the two halves in place.

It's also important to keep all lift cords out of the reach of children at all times.