

# Premium Cellular Shade with Standard Cord Lock

## Installation Instructions

**BLINDSTER**

Email: [customerservice@blindster.com](mailto:customerservice@blindster.com)

Call us: (888) 256-8672

Mon - Fri 8am - 7pm (CT)

Congratulations on purchasing Cellular Shade—Standard Cord Lock window treatments from Blindster. Please read the following instructions to properly install your new shade over your windows or doors.

### Gathering the tools you'll need.

Before you get started, locate the following tools:

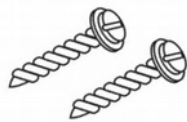
- Screwdriver
- Tape measure
- Pencil
- Drill
- Drill bits
- Step ladder

### Choose Your Fasteners

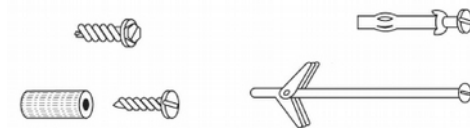
After you've gathered your tools, choose the correct fastener for your specific shade.

If you're installing your shade into a wood frame window, use the included 1 1/2" #8 hex head screws.

If you're installing your shade into an aluminum or concentrate window or door, use alternative fasteners (see picture below).



1 1/2" #8 Hex Head  
Wood Screws (Included)

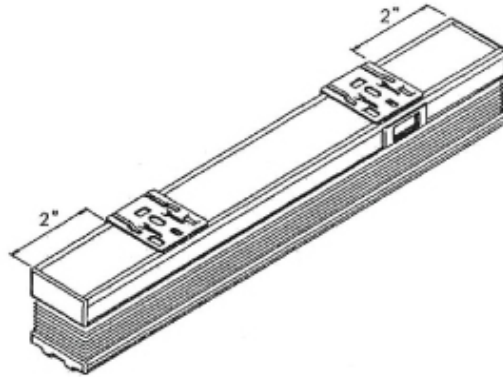


### Step 1: Mark the Bracket Locations

Before you install your brackets, it's important that you first mark their locations. Place the first two installation brackets for your shade about 2" from the end of the head rail. If your shades are wide enough to require a third bracket, place it in the center between the two outer brackets at equal distance between each bracket. Depending on width, some shades may require up to 8 total brackets. Be sure not to place any brackets more than 25" apart for maximum support. Your bracket should look like the picture above and measure from front to back to the front lip 1 3/4".

---

## Shade with Cord Lock



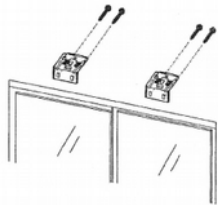
Once you've positioned each bracket in its installation location, mark the mounting hole locations using a pencil. Make sure each hole is evenly spaced. In addition, always check to make sure outside mount installations are level before you begin drilling.

### Step 2: Installing the Brackets

Follow the diagrams in the pictures below to mount your brackets for inside and outside installations.

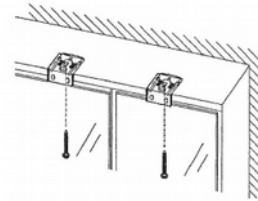
#### Outside Mount Installation Instructions:

Screw the brackets into the wall as shown.



#### Inside Mount Installation Instructions:

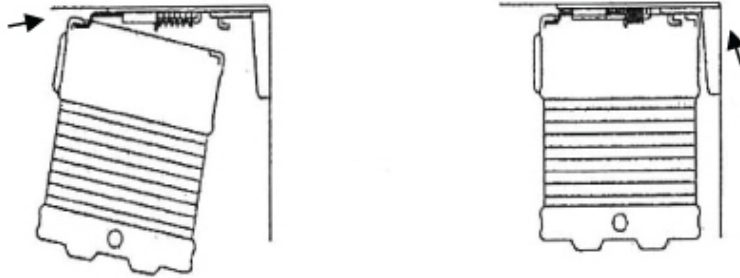
Screw the brackets into the window frame as shown.



---

### Step 3: Installing the Shade

To install the shade into the mounting brackets, hang it so that the front groove of the headrail is inserted into the front ridge of the bracket. Then, rotate the shade backwards toward the window until the headrail snaps into place. Test the shade to make sure it is locked into place by gently pulling on it.



### Operating Instructions

To safely and properly operate your new cellular shade from Blindster, follow these instructions:

#### Lowering the shade

To lower your shade, pull the lift cord down and to the center to unlock the shade's position. Then, slowly release the cord until the shade reaches the desired height. Move the cord back to the right side of the shade to lock it back into place.

#### Raising the shade

To raise your shade, pull the cord straight down until the shade reaches the desired height. Then, move the cord past the outer edge of the shade closest to the cord and release to lock the shade's location.