

Deluxe Exterior Solar Shades

Installation Instructions

BLINDSTER

Email: customerservice@blindster.com

Call us: (888) 256-8672

Mon - Fri 8am - 7pm (CT)

Thank you for purchasing Deluxe Exterior Solar Shades from Blindster. These shades are perfect to block the sun's harmful rays and glare while still providing excellent views in the outdoor areas of your home.

To install your new shades, please follow the instructions below as closely as possible.

Step 1: Gathering the required tools for installation.

Before you begin the installation process, take the time to gather the tools you'll need to complete the job.

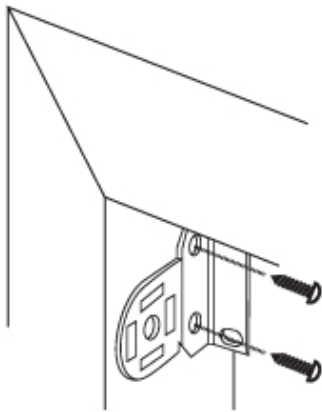
- **Screwdriver**
- **Tape measure**
- **Pencil**
- **Drill**
- **Drill bits**
- **Step ladder**

Note: When using the drill to pre-drill holes, use a 5/64" drill bit for screw holes to attach to wall studs and head boards and a 1/4" drill bit for plastic anchors to attach to dry wall or plaster.

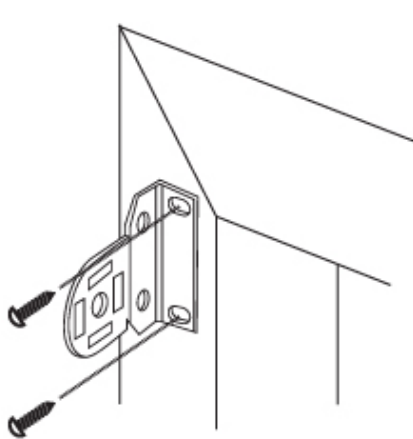
Step 2: Mounting the brackets

With the required tools within reach, it's time to mount the installation brackets to the head rail.

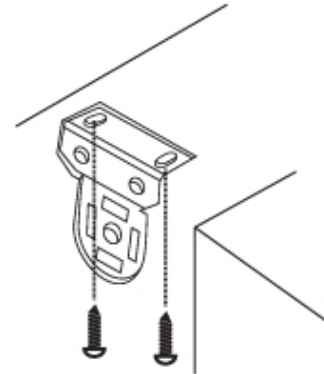
First, attach the brackets to the window frame, molding, or ceiling as shown in the illustration below. Note that all brackets are considered universal and that they can be oriented either left or right. To attach the brackets to the mounting surface, mark where they contact it with a pencil, then pre-drill screw holes using a 5/64" drill bit or a 1/4" drill bit for plaster.



Inside Mount



Outside Mount



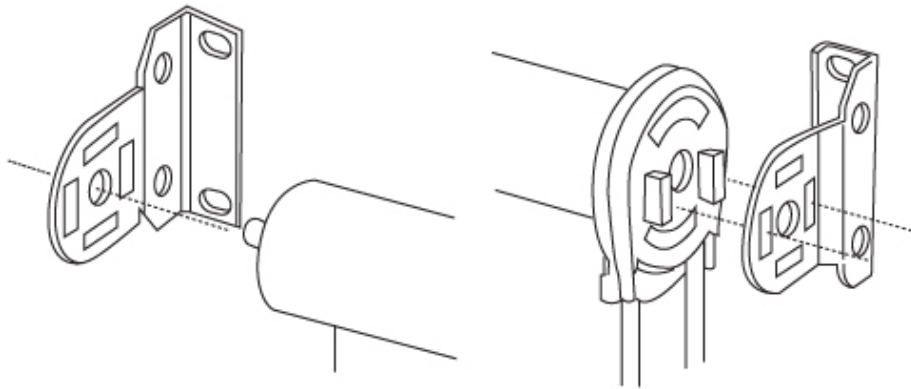
Top Ceiling

Step 3: Installing the shade.

With the brackets attached to the wall or window frame, put the spring loaded pins of the head rail into the round holes of each bracket.

Then, push the spring loaded tip into the bracket while inserting the hook arms on the opposite end of the shade into the hook arm receives holes of the bracket. After the hook arms have been inserted into the holes, pull down until both arms securely lock into the bracket.

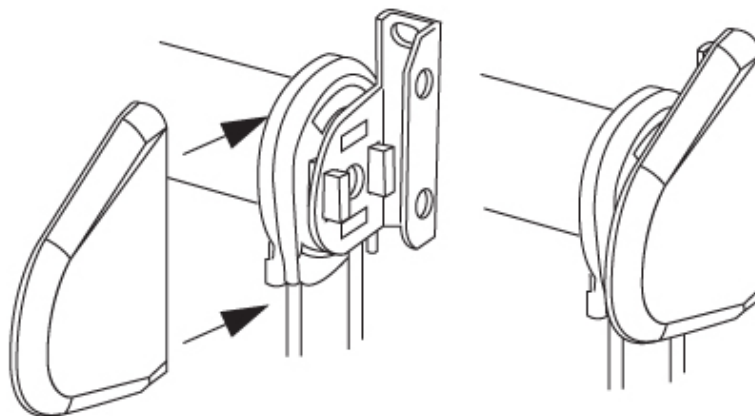
Note: When installing cord control shades, make sure that the bottom of the clutch is always pointing straight down.



Step 4: Installing the bracket covers (outside mount installations only)

If you installed your shade outside your windows, use the illustration below to install the bracket covers.

Slide the bracket covers onto the brackets until they snap into position.



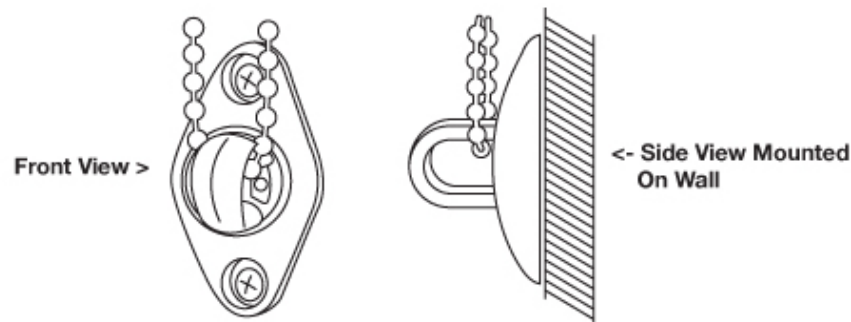
Step 5: Attaching the safety cord guide

Your shade requires the safety cord guide to be installed in order to function properly. Note that the cord guide is pre-attached to the cord control when shipped from Blindster and must be attached either to the window frame or wall, depending on where you installed your shade.

Your cord guide can be installed vertically, horizontally, or at an angle depending on where it fits best on your mounting surface. Note that the “U” shaped guide that the chain passes through swivels and can also be set in any position and orientation to ensure smooth operation of your shade.

To attach the cord guide to your mounting surface, pre-drill holes using 3/32” drill bits and use the provided 1 ¼” screws inside the holes you created. If you’re attaching your cord guide to a hollow drywall surface, use a ¼” drill bit to drill holes for the provided drywall anchors.

Important: Never put tension on the cord/bean chain to ensure proper operation of your shade.



When installing the cord guide, make sure that the cord hangs loosely to optimize performance of the clutch and make sure that the cord connector passes through the guide with ease. Never twist or cross the control cord/bean chain, as this could damage the shade.

When position the base of the shade, adjust the cord so that the cord guide is oriented at the bottom of the cord loop and hangs freely. Then, compress the spring using your hand until the chain moves freely through the “U” channel.

Finally, place the tension device and bracket tightly against your window frame, wall, or other mounting surface and move it up at least ¼” from its original position. Mark the spot where the bracket contacts the mounting surface with a pencil. Then, insert and secure two screws through the holes in the base of the cord guide to complete its installation process.

Step 6: Operating your shade

Your shade requires care and proper operation to maintain its form, function, and appearance for years to come. Read the instructions below to properly operate your shade.

Cord control shades

To operate cord control shades, gently pull on the cord in one direction to raise it, then pull it the other direction to lower it. If the shade's fabric rolls against the window, the front cord is designed to lift the shade. If the fabric rolls toward the room, the rear cord lifts the shade.

Step 7: Installing hold-down fasteners for outdoor shades

Outdoor shades purchased from Blindster ship with re-closable snap-together fasteners that help hold the shade down and restrict its movement under windy conditions.

To install these fasteners, peel the cover from one side to expose the adhesive.

Then, attach both to the bottom hem of the shade. Next, peel the cover from the other side of the fastener and attach it to the window sill or wall to hold the bottom of the shade in place.

If your shade features a decorative external hem bar, cut the fasteners in half lengthwise, then attach them to the hem bar.

Step 8: Cleaning your shade

Your shade requires regular cleaning to look and operate at its best. To properly and safely clean your shade, follow the instructions below.

Dusting: Dust your shade using a light duster or the soft brush attachment for a vacuum.

Washing: To wash your shade, use a cloth, sponge, or soft brush and mild detergent that won't stain or discolor your shade. Always use warm or cold water when washing your shade.

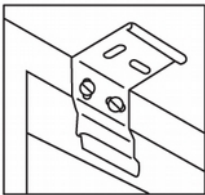
Step 9: Installing the cassette valance system

Follow the instructions below to install the cassette valance system for your new shade from Blindster.

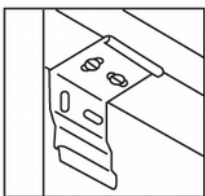
Mount the installation brackets to your wall or window frame, and make sure that the outside brackets are no further than 2 inches from the ends of the head rail. If your shade requires more than two brackets, space the additional brackets evenly along the head rail.



Cassette 80

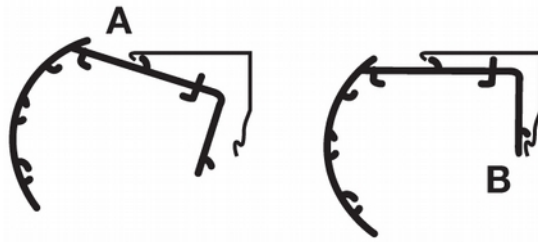


For wall or outside mounts, use the rear bracket holes and make sure that the release tab is always mounted on the bottom.

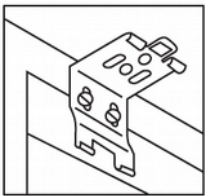


For inside ceiling mounts, use the top bracket holes and make sure the release tab is always mounted on the bottom.

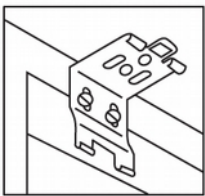
To mount the head rail, position it so that the front panel (A) rests at the top lip of the brackets. Then, push the bottom front of the head rail backwards and towards the window until the lip of the back of the head rail contacts the bracket and pops into place as shown in (B)



Cassette 120

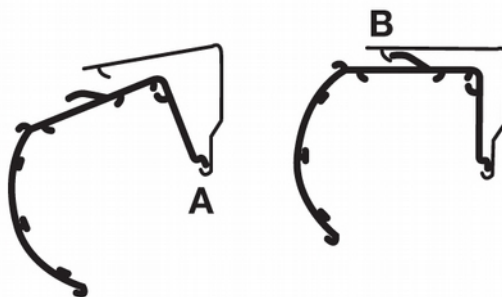


For wall or outside mounts, use the rear bracket holes. Make sure the release tab is always mounted on the top.



For inside ceiling mounts, use the top bracket holes. Make sure the release tab is always mounted on the top.

To mount the head rail, place with its back panel (A) resting on the bottom hooks of all mounting brackets. Then, push its front up and toward the window until the groove at the top of the head rail snaps into place as show in (B).



Step 10: Removing the shade

Follow the instructions below if you need to remove your shade from your wall or window frame.

Cassette 80: Place a flathead screwdriver into the bottom rear of the head rail and release the locking tab. Then, gently twist the screwdriver and pry open the bracket to release the head rail from its locked position. As you release the brackets, make sure that you support the head rail to prevent it from falling and becoming damaged.

Cassette 120: Insert a flathead screwdriver into the top of the head rail and release the locking tab. Then, gently twist the screwdriver and pry open the bracket to fully release the head rail. As you release the brackets, hold onto the head rail to prevent it from falling.

Troubleshooting

TELESCOPING

Telescoping is when the shade gathers to one side or the other as it is rolled up. This is typically a leveling problem, however; you do not have to remove the shade to fix it. Solution:

First check the mounting brackets to ensure that they are aligned and level. Ensure that the roller barrel is level. Please use a leveling device.

If the shade is leveled then there is one more thing you can do to prevent the shade from rolling up unevenly

Some fabrics have a tendency to telescope to one side or the other when being roller up. To remedy this, unroll the shade until you can see where the fabric is attached to the roller. Place a small piece of masking tape at the attachment on the opposite side end from where the shade is telescoping. A second or even third piece can be placed on to fix more extreme telescoping problems.

Spring roller shade uses a hollow tube with a coiled spring inside. The size and material of the tube may vary, but are typically made of aluminum or card board. When you pull down on the roller shade it increases the tension on the spring. When you stop pulling, a ratchet and pin hold the tension on the spring on one end of the roller shade. On the opposite end of the tube there is a free turning pin that mounts into the bracket.